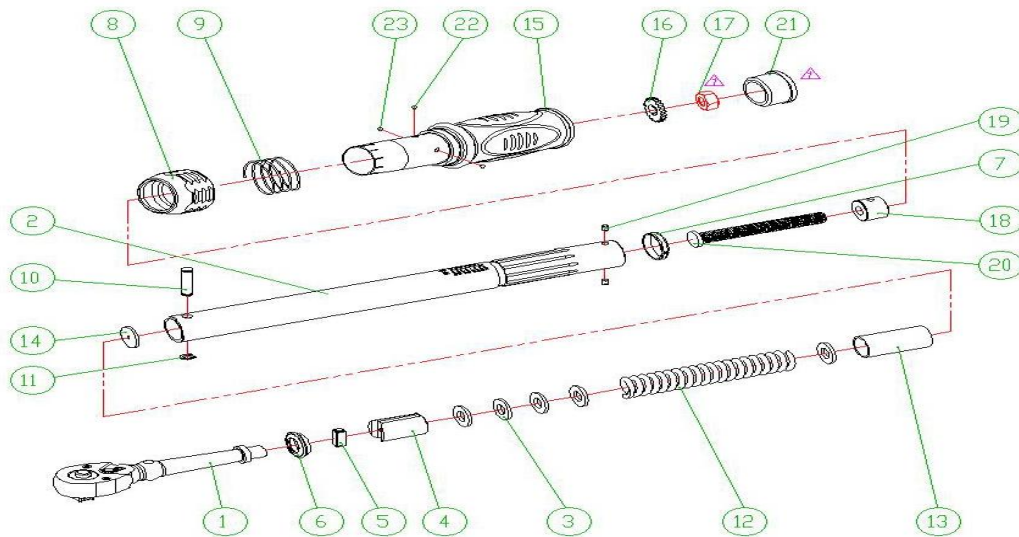


802CTPRH



NO.	PART NUMBER	DESCRIPTION
1	CTP34362-B01	RATCHET BODY ASSEMBLY
2	CTP34362-B02DCT	80 WRENCH TUBE
3	CTP34362-B03	SPRING SHIM \varnothing 20
4	CTP34362-B04	CAM
5	CTP34362-B05A	PAWL 6.40mm
	CTP34362-B05B	PAWL 6.30mm
	CTP34362-B05C	PAWL 6.24mm
	CTP34362-B05D	PAWL 6.14mm
	CTP34362-B05E	PAWL 6.06mm
6	CTP34362-B06	RUBBER SEAL
7	CTP34362-B07	NYLON BEARING
8	CTP34362-B08CT	LOCK RING
9	CTP34362-B09	LOCK RING SPRING
10	CTP34362-B10	HEAD PIVOT PIN
11	CTP34262-A11	SNAP RING
12	CTP34362-B12A	COMPRESSED SPRING
13	CTP34362-B13A	SPACER \varnothing 20
14	CTP34462-B14	THRUST SHIM \varnothing 20
15	CTP34362-B15CT	Includes - HAND-ROLL MARKED(15), HANDLE LOCK(16),GRIP(22)
16	CTP34662-B17	LOCKING WASHER
17	CTP34362-B18	FLANGE LOCK NUT
18	CTP34362-B19	TUBE INSERT
19	CTP34362-B20	INSERT RETAINING PIN
20	CTP34362-B21	ADJUSTMENT SHAFT
21	CTP34462-A27CT	RUBBER CAP - LARGE
22	CTP34262-A25	BALL (3.5mm)
23	CTP34262-A26	BALL (2.7mm)
	CTP34362-2DK	RATCHET REPAIR KIT - 3/8" DRIVE - LARGE
	CTP34362-1PK90CT	PLASTIC ROUND SHIPPING TUBE